

SLIMFIT VENT AND GRILLE



The Slimfit is an innovative, stylish, slim-profile ventilator, eminently suitable for ventilated head sections.

Can be used to meet the background ventilation requirements of building regulations throughout the UK and the Republic of Ireland, as part of a suitably designed ventilation system or strategy, and also the requirements for security, adjustability, avoidance of discomfort due to cold draughts and prevention of rain ingress.

For more information see Building Regulations on page 8.

Features and benefits

- Slim projection of vent - only 5mm. Grille inset. Unobtrusive appearance. Suitable for factory-fitting to window frames; minimises risk of damage in transit.
- Clip-fit vent and inset grille. No screws, thereby speeding up installation, reduces window production cost.
- Integral flange to vent. Completely masks routed slot.

Ventilation area

See table.

Material

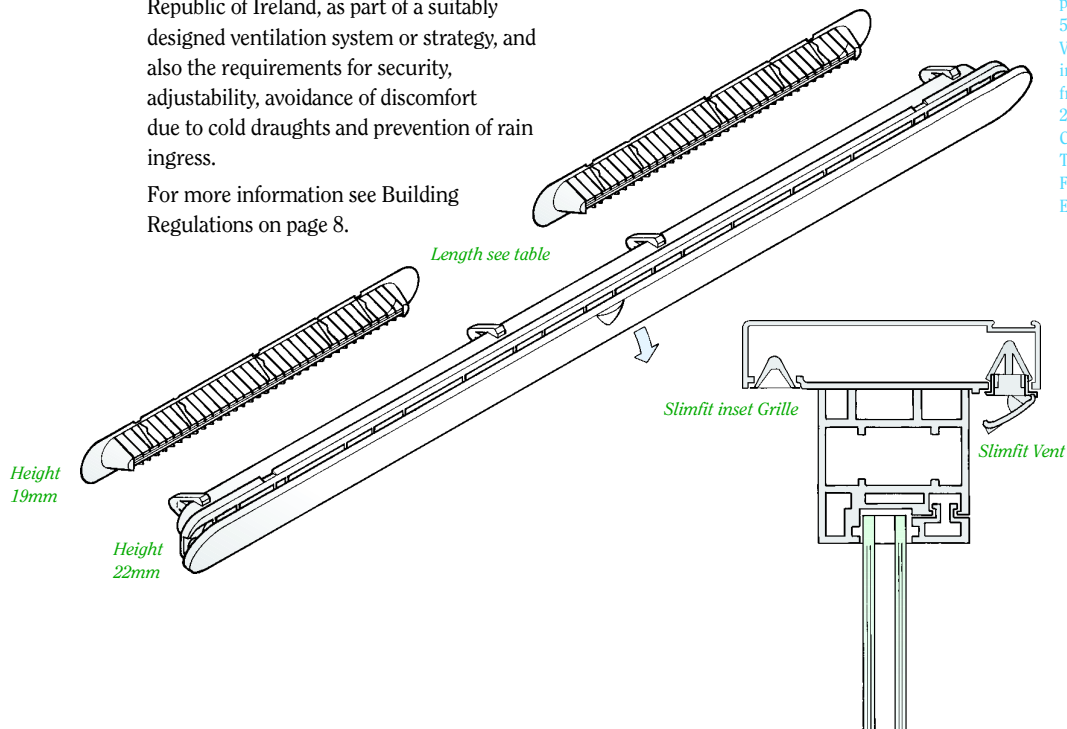
Vent ABS, inset grille polypropylene. Colours: white or brown.

Fixing

Clip-in.

Specification clause

Select options required, and insert information where necessary. Provide background ventilation complying with Building Regulations (England and Wales) Approved Document F OR Building (Scotland) Regulations Technical Handbook Domestic Section 3 OR Building Regulations (Northern Ireland) Technical Booklet K OR Building Regulations (Republic of Ireland) Technical Guidance Documents Part F, by means of internal window ventilators giving 4000mm² free area or 2500mm² equivalent area of ventilation (Passivent Slimfit Vent TVSFV4 and inset Grille TVSFIG4). Ventilators to be injection moulded plastic, to project a maximum of 5mm in closed position. Ventilators and information available from Passivent Limited, 2 Brooklands Road, Sale, Cheshire M33 3SS, Telephone: 0161 962 7113, Fax: 0161 905 2085. Email: info@passivent.com



Dimensions

Type code	Ventilation opening		Length	Slot size
	free area	equivalent area		
Vent TVSFV4	4000mm ²	2500mm ²	420mm	403 x 15mm
Grille TVSFIG4			173mm	*150 x 15mm

*Two grilles and two slots required per vent.

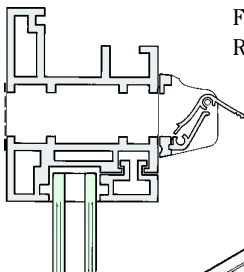
FRAME VENT



Controllable internal vent, designed for use with external Canopy Grille.

Can be used to meet the background ventilation requirements of building regulations throughout the UK and the Republic of Ireland, as part of a suitably designed ventilation system or strategy, and also the requirements for security, adjustability, avoidance of discomfort due to cold draughts and prevention of rain ingress.

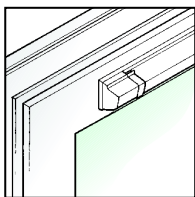
For more information see Building Regulations on page 8.



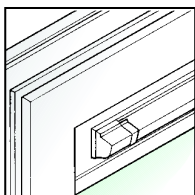
Height
29.5mm

Depth 22mm

Installed in window frame



Installed on Overglass Vent Bar



Ventilation area

See table.

Material

Aluminium with polyester paint finish to BS 6496. End caps and backing plate are colour co-ordinated injection-moulded PVC. Colours: white or brown. Other colours to special order subject to minimum quantities.

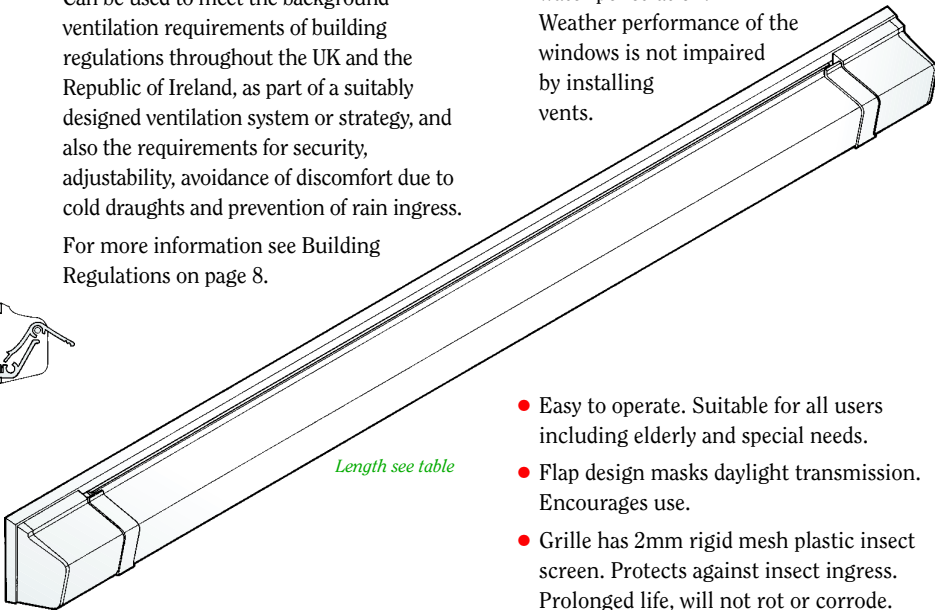
Dimensions

Type code	Ventilation opening free area	Trickle equivalent area*	Length	Suitable grilles	Slot size
TVFV2	2000mm ²	1400mm ²	250mm ²	198mm	Canopy Grille TVCG2 148 x 15mm
TVFV4	4000mm ²	3120mm ²	500mm ²	358mm	Canopy Grille TVCG4 308 x 15mm

* in conjunction with external Canopy Grille

Features and benefits

- Directs inward air flow upwards. Avoids draughts and discomfort, thereby encouraging use.
- Three settings: open, half open, closed.
 -
 -
 -
 Provides a level of ventilation control.
- Trickle facility (removable). Provides small amount of ventilation even when vent is closed.
- Meets the worst case requirements of BS 6375: Part 1: 2000 for resistance to water penetration. Weather performance of the windows is not impaired by installing vents.



Length see table

- Easy to operate. Suitable for all users including elderly and special needs.
- Flap design masks daylight transmission. Encourages use.
- Grille has 2mm rigid mesh plastic insect screen. Protects against insect ingress. Prolonged life, will not rot or corrode.
- Backing plate to vent and sealant groove to grille. Provide additional protection against water penetration
- Very robust. Ideal for high-abuse areas.
- British Board of Agrément Certificate no 95/3120.

Fixing

By screws through end caps, concealed by clip-on covers.

Specification clause

Select options required, and insert information where necessary. Provide background ventilation complying with Building Regulations (England and Wales) Approved Document F OR Building (Scotland) Regulations Technical Handbook Domestic Section 3 OR Building Regulations (Northern Ireland) Technical Booklet K OR Building Regulations (Republic of Ireland) Technical Guidance Documents Part F, by means of internal window ventilators and external grilles giving *2000 / 4000mm² free area or *1400/3120mm² equivalent area of ventilation. Internal vent (Passivent Frame Vent *TVFV2 / TVFV4), and external grille (Passivent Canopy Grille *TVCG2/TVCG4) to be of aluminium with polyester paint finish to BS 6496: 1984 and fitted with colour co-ordinated end caps. Additionally the internal vent to have a back plate, provide upward directional airflow, two open settings and optional trickle facility. External grille to incorporate 2mm mesh insect screen of injection moulded plastic, and water-resistant sealant groove. Both vent and grille to be certified by the British Board of Agrément (BBA) and to meet the worst case requirements of BS 6375: Part 1: 2000 for resistance to water penetration. Ventilators, grilles and information available from Passivent Ltd, 2 Brooklands Road, Sale, Cheshire M33 3SS, Telephone: 0161 962 7113, Fax: 0161 905 2085. Email: info@passivent.com *Delete as required.

CANOPY GRILLE



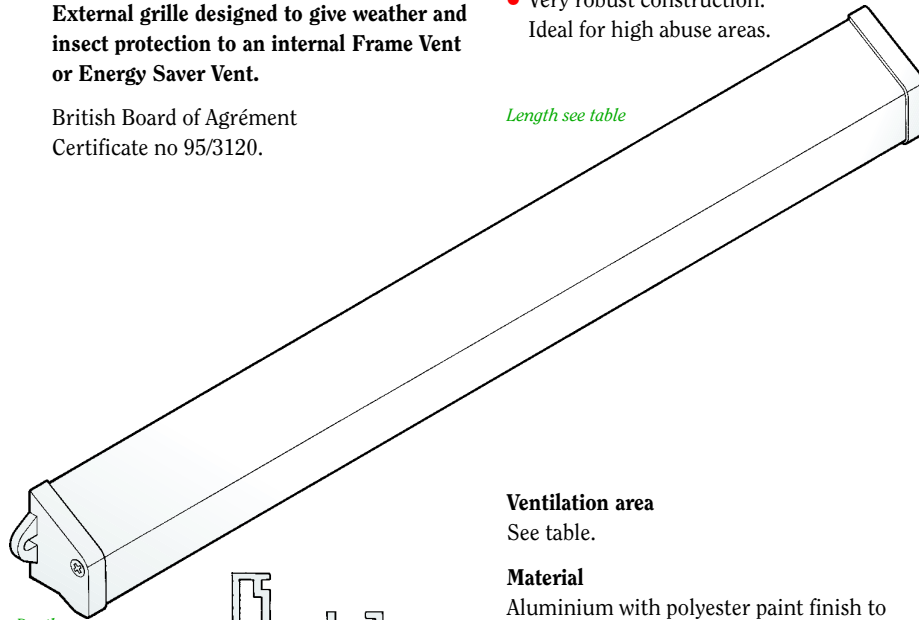
External grille designed to give weather and insect protection to an internal Frame Vent or Energy Saver Vent.

British Board of Agrément
Certificate no 95/3120.

Features and benefits

- Meets the worst case requirements of BS 6375: Part 1: 2000 for resistance to water penetration when used with a suitable vent.
Weather performance of the windows is not impaired by installing vents.
- 2mm rigid mesh insect screen of injection-moulded plastic.
Protects against insect ingress.
Prolonged life, will not rot or corrode.
- Integral mastic sealant groove.
Provides additional protection against water penetration.
- Very robust construction.
Ideal for high abuse areas.

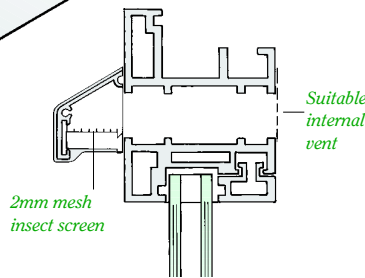
The specification clause for the canopy grille is incorporated in the specification of the internal vent (TVFV2/4, TVES4, TVES4DB, TVALDB).



Height 30mm

Depth 22mm

Length see table



2mm mesh insect screen

Suitable internal vent

Ventilation area

See table.

Material

Aluminium with polyester paint finish to BS 6496. Injection-moulded plastic end caps and insect screen.

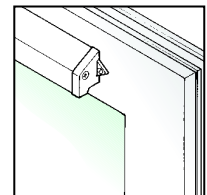
Colours: white or brown.

Colour co-ordinated end caps. Other colours to special order.

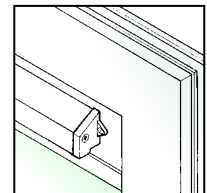
Fixing

By screws through end lugs.

Installed in window frame



Installed on Overglass Vent Bar



Dimensions

Type code	Ventilation opening free area	equivalent area*	Length	Suitable vents	Slot size
TVCG2	2000mm ²	1400mm ²	180mm	Frame Vent TVFV2	148 x 15mm
TVCG4	4000mm ²	3120mm ² 2760mm ²	340mm	Frame Vent TVFV4 Energy Saver Vent TVES4	308 x 15mm See page 37
TVCG390	4200mm ²	2500mm ²	390mm	TVAL-dB450/40	350 x 12mm
	4200mm ²	2012mm ²		TVAL-dB800/42	350 x 12mm

*in conjunction with internal Vent. Other lengths are available to special order.

ULTRA VENT AND GRILLE



Slim profile internal aluminium vent with complementary external grille for aluminium, PVC-U and timber window frames.

Can be used to meet the background ventilation requirements of building regulations throughout the UK and the Republic of Ireland, as part of a suitably designed ventilation system or strategy, and also the requirements for security, adjustability, avoidance of discomfort due to cold draughts and prevention of rain ingress.

For more information see Building Regulations on page 8.

Features and benefits

- Slim profile projects only 11mm. Unobtrusive appearance. Suitable for factory fitting to window frames; minimises risk of damage in transit.
- Directs inward air flow upwards. Avoids draughts and discomfort, encouraging use.
- Integral weatherseal to vent. Ensures a weathertight seal between the window and the vent.

Ventilation area

See table.

Material

Vent and grille: Aluminium with polyester paint finish to BS6496. Injection-moulded plastic end caps.

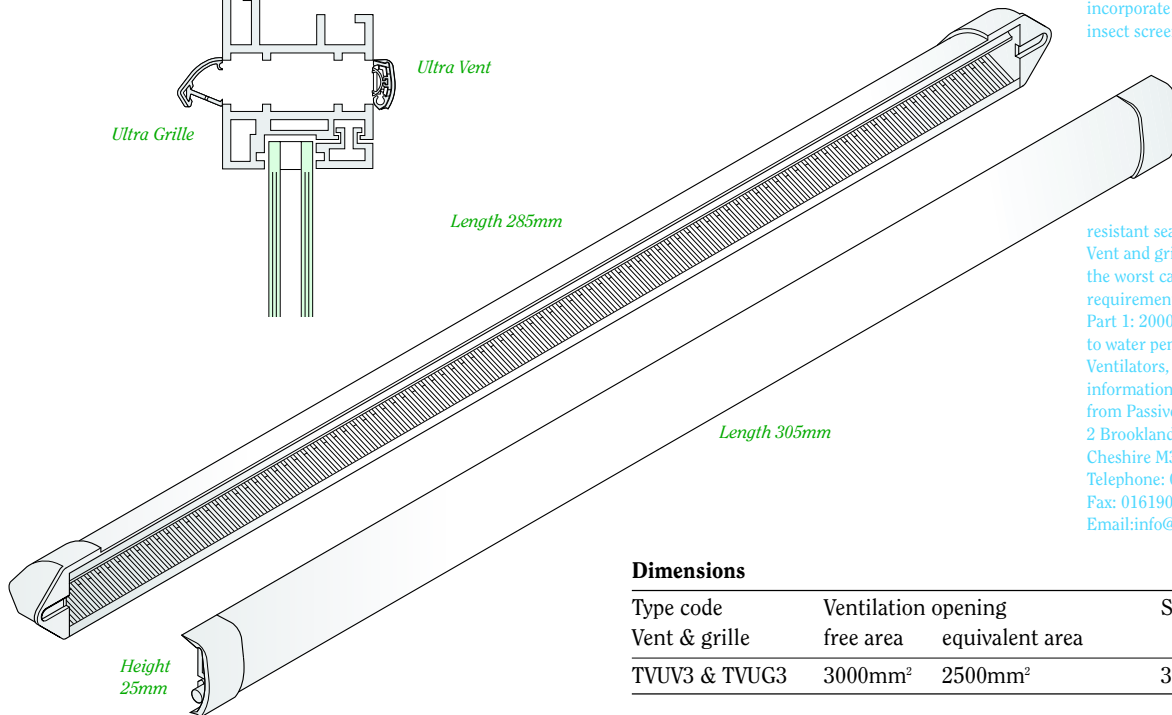
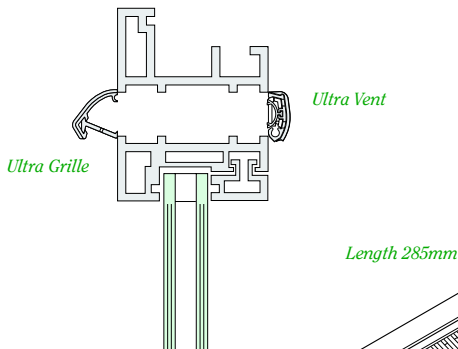
Colour: White. Other colours to special order.

Fixing

By two screws each for vent and grille.

Specification clause

Select options required, and insert information where necessary. Provide background ventilation complying with Building Regulations (England and Wales) Approved Document F OR Building (Scotland) Regulations Technical Handbook Domestic Section 3 OR Building Regulations (Northern Ireland) Technical Booklet K OR Building Regulations (Republic of Ireland) Technical Guidance Documents Part F, by means of internal window ventilators and external grilles giving 4000mm² free area or 3600mm² equivalent area of ventilation. Internal vent (Passivent Ultra Vent TVUV3) and external grille (Passivent Ultra Grille TVUG3), to be of aluminium with polyester paint finish to BS6496: 1984 and fitted with colour co-ordinated end caps. Additionally the internal vent to provide upward directional airflow and incorporate an integral weatherseal. External grille to incorporate 2mm mesh insect screen, and water-



resistant sealant groove. Vent and grille to meet the worst case requirements of BS6375: Part 1: 2000 for resistance to water penetration. Ventilators, grilles and information available from Passivent Ltd, 2 Brooklands Road, Sale, Cheshire M33 3SS, Telephone: 0161962 7113, Fax: 0161905 2085. Email: info@passivent.com

Dimensions

Type code	Ventilation opening		Slot size
Vent & grille	free area	equivalent area	
TVUV3 & TVUG3	3000mm ²	2500mm ²	347 x 12mm

ENERGY SAVER VENT



Features and benefits

- Requires no electrical or mechanical power supply.
Even greater energy efficiency compared with standard tricklevents.

Ventilation area

See table.

Airflow at 20Pa: minimum 7m³/hr (closed to trickle), maximum 40m³/hr.

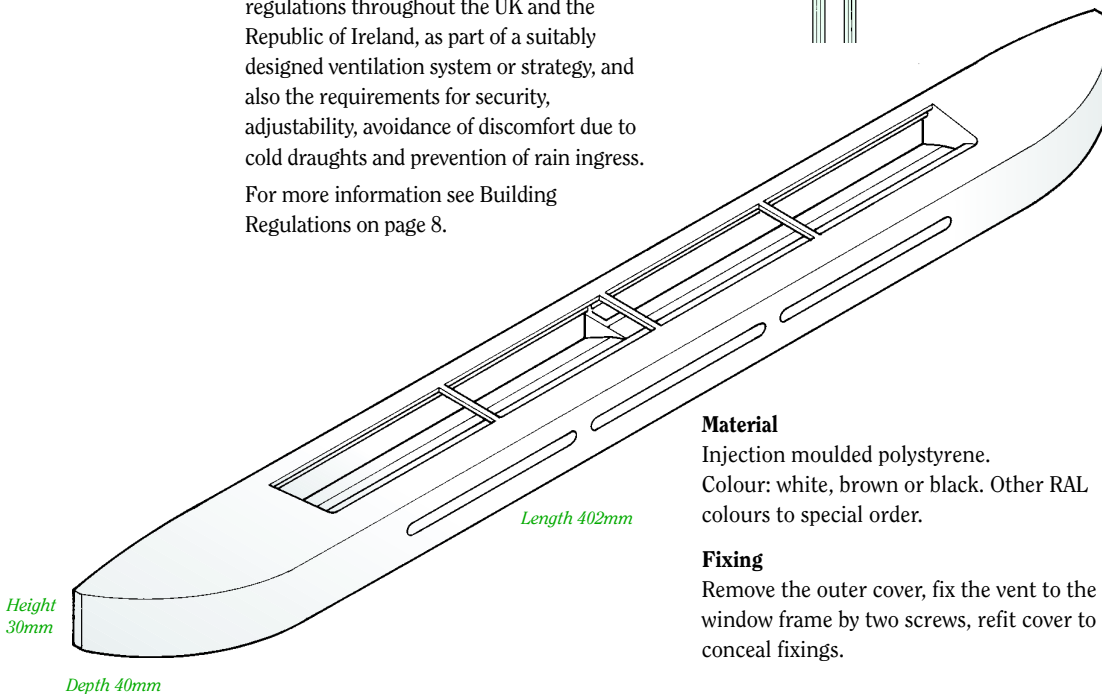
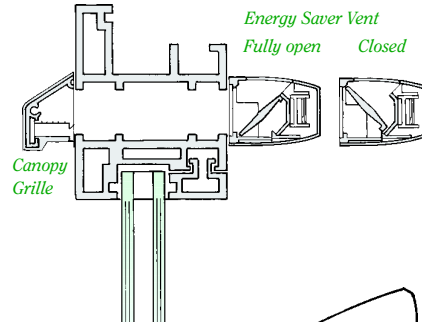
Operates between the following humidity levels: 47% RH 500mm² ventilation area, 65%RH 4000mm² ventilation area.

The Energy Saver Vent automatically opens and closes depending on humidity levels in the room, ensuring correct ventilation levels are achieved and minimising the unnecessary entry of cold air.

Designed for use with external Canopy Grille.

Can be used to meet the background ventilation requirements of building regulations throughout the UK and the Republic of Ireland, as part of a suitably designed ventilation system or strategy, and also the requirements for security, adjustability, avoidance of discomfort due to cold draughts and prevention of rain ingress.

For more information see Building Regulations on page 8.



Material

Injection moulded polystyrene.
Colour: white, brown or black. Other RAL colours to special order.

Fixing

Remove the outer cover, fix the vent to the window frame by two screws, refit cover to conceal fixings.

Dimensions

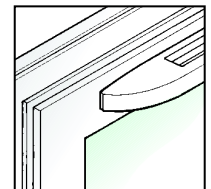
Type code	Ventilation opening		Length	Suitable grille
	free area	equivalent area		
TVES4	4000mm ²	2760mm ²	402mm	Canopy Grille TVCG4

Slot size: two slots 130 x 15mm with a 10mm blank.

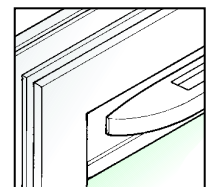
Specification clause

Select options required, and insert information where necessary.
Provide background ventilation complying with Building Regulations (England and Wales) Approved Document F OR Building (Scotland) Regulations Technical Handbook Domestic Section 3 OR Building Regulations (Northern Ireland) Technical Booklet K OR Building Regulations (Republic of Ireland) Technical Guidance Documents Part F, by means of automatic humidity-controlled internal window ventilators and external grilles giving 4000mm² free area or 2760mm² equivalent area of ventilation. Internal vent (Passivent Energy Saver Vent TVES4) to operate between 47% and 65% relative humidity. External grille (Passivent Canopy Grille TVCG4) of aluminium with polyester paint finish to BS6486:1984, having colour co-ordinated end caps, incorporating 2mm mesh insect screen of injection moulded plastic, and water-resistant sealant groove. Ventilators and information available from Passivent Limited, 2 Brooklands Road, Sale, Cheshire M33 3SS, Telephone: 0161 962 7113, Fax: 0161 905 2085. Email: info@passivent.com

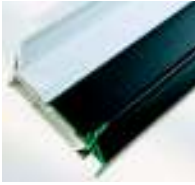
Installed in window frame



Installed on Overglass Vent Bar



STREAMLINE OVERHEAD VENTILATOR



Specification clause

Select options required, and insert information where necessary.

Provide background ventilation complying with Building Regulations (England and Wales) Approved Document F OR Building (Scotland) Regulations Technical Handbook Domestic Section 3 OR Building Regulations (Northern Ireland) Technical Booklet K OR Building Regulations (Republic of Ireland) Technical Guidance Documents Part F, by means of overhead window ventilators giving *..... mm² free area or *..... mm² equivalent area of ventilation (Passivent Streamline Overhead Ventilator TVSOH).

Ventilators to be the full width of the window and to comprise window-grade PVC-U with one-piece clip-in injection-moulded plastic end caps at each end, integral full-length external canopy with PVC-U grille, internal canopy incorporating horizontal hit-and-miss vent with nylon chain operation one side, and designed to accept purpose-made clip-in plaster trims to extend vent height by 10 or 15mm. Ventilators to be certified by the British Board of Agreement (BBA), and to meet or exceed the worst case requirements of BS 6375: Part 1: 2000 for resistance to water penetration.

Ventilators and information available from Passivent Ltd, 2 Brooklands Road, Sale, Cheshire M33 3SS, Telephone: 0161 962 7113, Fax: 0161 905 2085, Email: info@passivent.com

*Insert figures required.

Fits directly over the window frame head, giving discreet ventilation.

Can be used to meet the background ventilation requirements of building regulations throughout the UK and the Republic of Ireland, as part of a suitably designed ventilation system or strategy, and also the requirements for security, adjustability, avoidance of discomfort due to cold draughts and prevention of rain ingress.

Ideal for domestic and commercial buildings, offices, schools and hospitals. For noisy environments, eg beside major roads and railways or near airports, an acoustically treated version is available.

Plaster trim (optional) extends vent height by 10 or 15mm

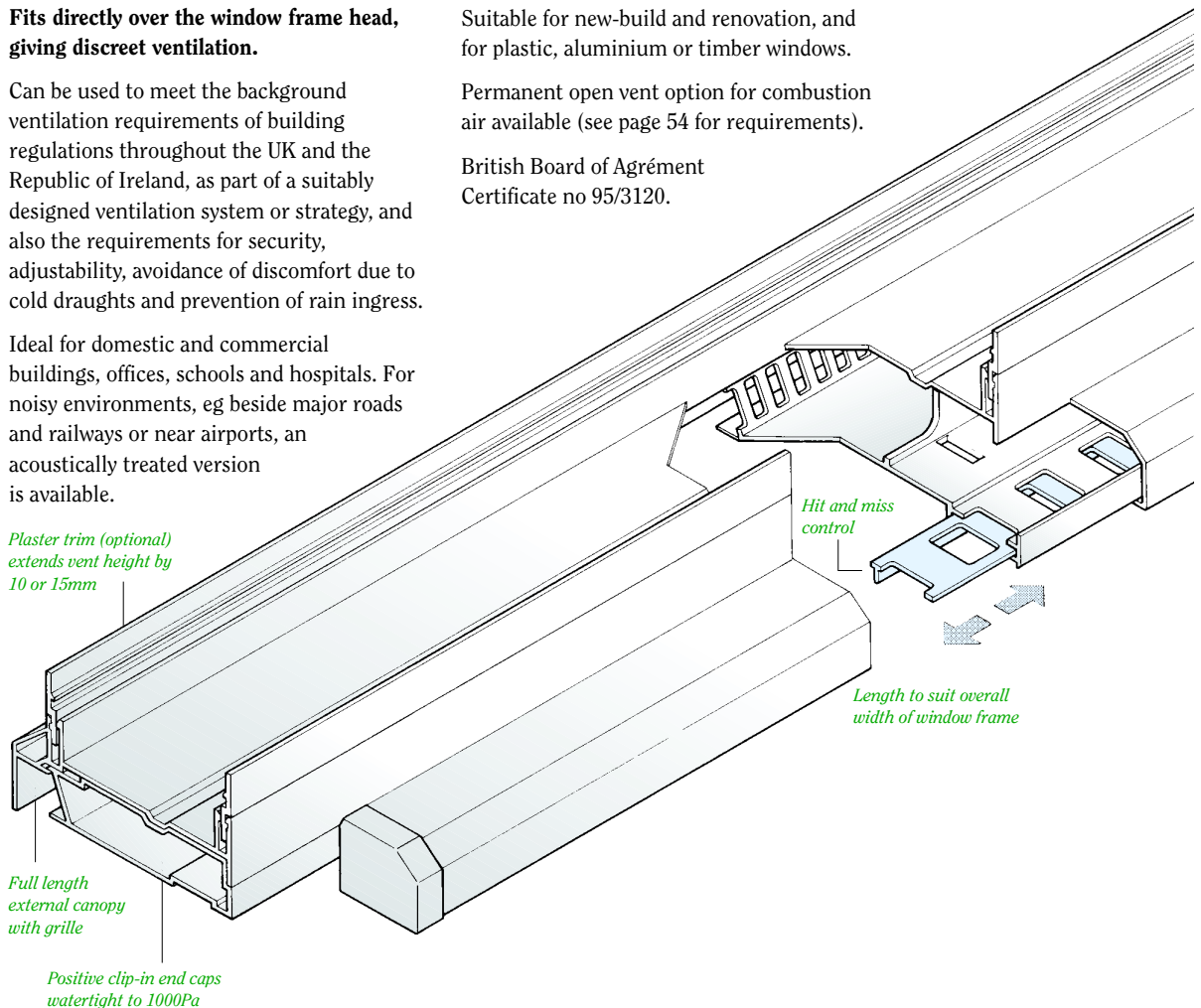
Full length external canopy with grille

Positive clip-in end caps watertight to 1000Pa

Suitable for new-build and renovation, and for plastic, aluminium or timber windows.

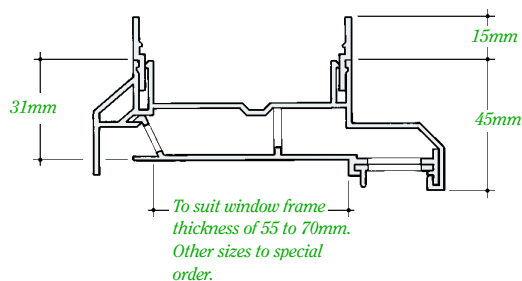
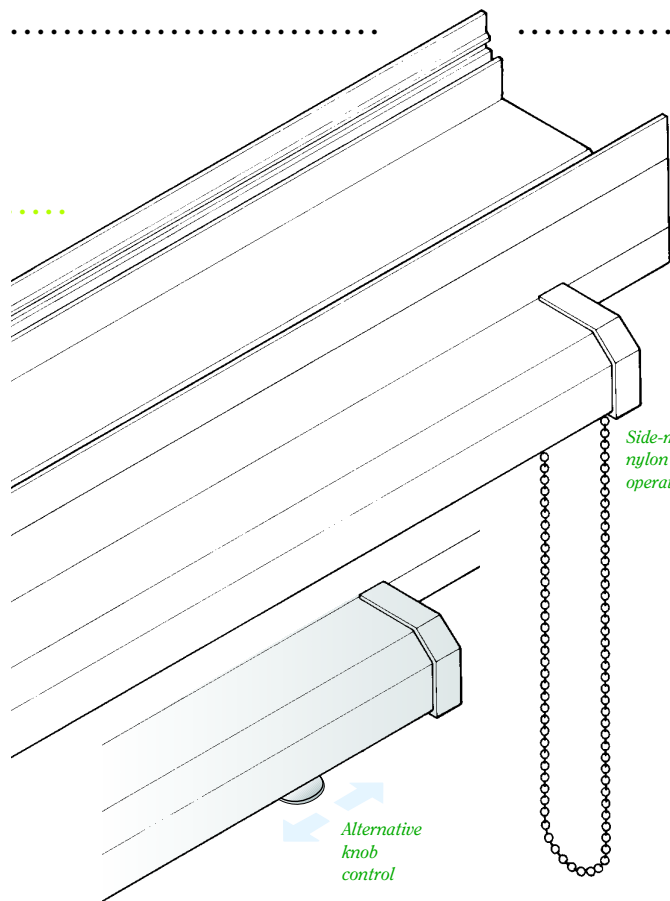
Permanent open vent option for combustion air available (see page 54 for requirements).

British Board of Agrément Certificate no 95/3120.



Features and benefits

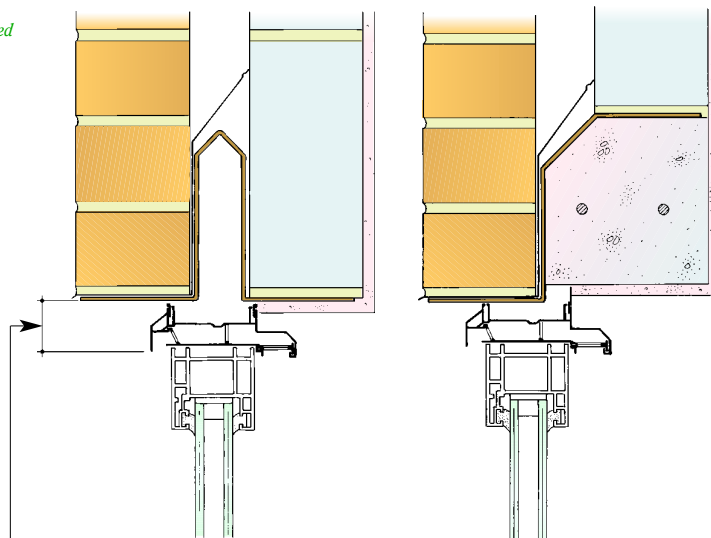
- Slim profile and neat design. Discreet, unobtrusive, appears as an integral part of the window frame.
- Installation above window head is simple, requiring no cutting or machining of frame. Avoids weakening the frame and exposing the chambers and reinforcement of hollow profiles.
- Meets the worst case requirements of BS 6375: Part 1: 2000 for resistance to water penetration. Weather performance of the windows is not impaired by installing vents.
- Internal hit and miss control with nylon chain operation at one side as standard. Easily accessible for maintenance. Easy control especially for elderly and special needs.
- Design allows for 20mm internal plaster. Clip-in plaster trims extend the vent height by 10 or 15mm. Accommodates thicker plaster, stepped lintels, external render and site inaccuracies.
- Full length external canopy. Acts as a head drip, improving weather protection.



Typical installations

Installation with standard lintel

Installation with stepped lintel



Minimum 31mm clearance required above window head (plus extra for trims if used)

Minimum vent length to provide specified ventilation area

Vent code	Ventilation opening		Length
	free area	equivalent area	
TVSOH	4000mm ²	2500mm ²	660mm
	6000mm ²	3750mm ²	930mm
	8000mm ²	5000mm ²	1200mm
Combustion air TVSOHCA	5000mm ²	3125mm ²	795mm
	8000mm ²	5000mm ²	1200mm

Ventilation area is normally restricted on larger lengths to prevent over-ventilation. Greater capacities can be provided if required.

Ventilation area

See table.

Material

Window-grade extruded PVC-U with injection-moulded plastic end caps.

Colours: white or brown as standard.

Canopies and plaster trims can be finished in any RAL colour to order.

Fixing

Simply attached to the window head before installing the window.

Dimensions

Supplied to length to suit individual window width. Can be supplied for window frame thickness of 55 to 70mm. Other sizes to special order.

When specifying window size, the height must be reduced by 31mm minimum to accommodate the vent (extra if plaster trims are used).

OVERGLASS VENT BAR: DOUBLE GLAZING



Installed above the glass within the window frame; for 20, 24 or 28mm sealed double glazing units. Overglass Vent Bars are supplied complete, ready-fitted with a Passivent vent and grille from the through-frame range (see table opposite).

Can be used to meet the background ventilation requirements of building regulations throughout the UK and the Republic of Ireland, as part of a suitably designed ventilation system or strategy, and also the requirements for security, adjustability, avoidance of discomfort due to cold draughts and prevention of rain ingress.

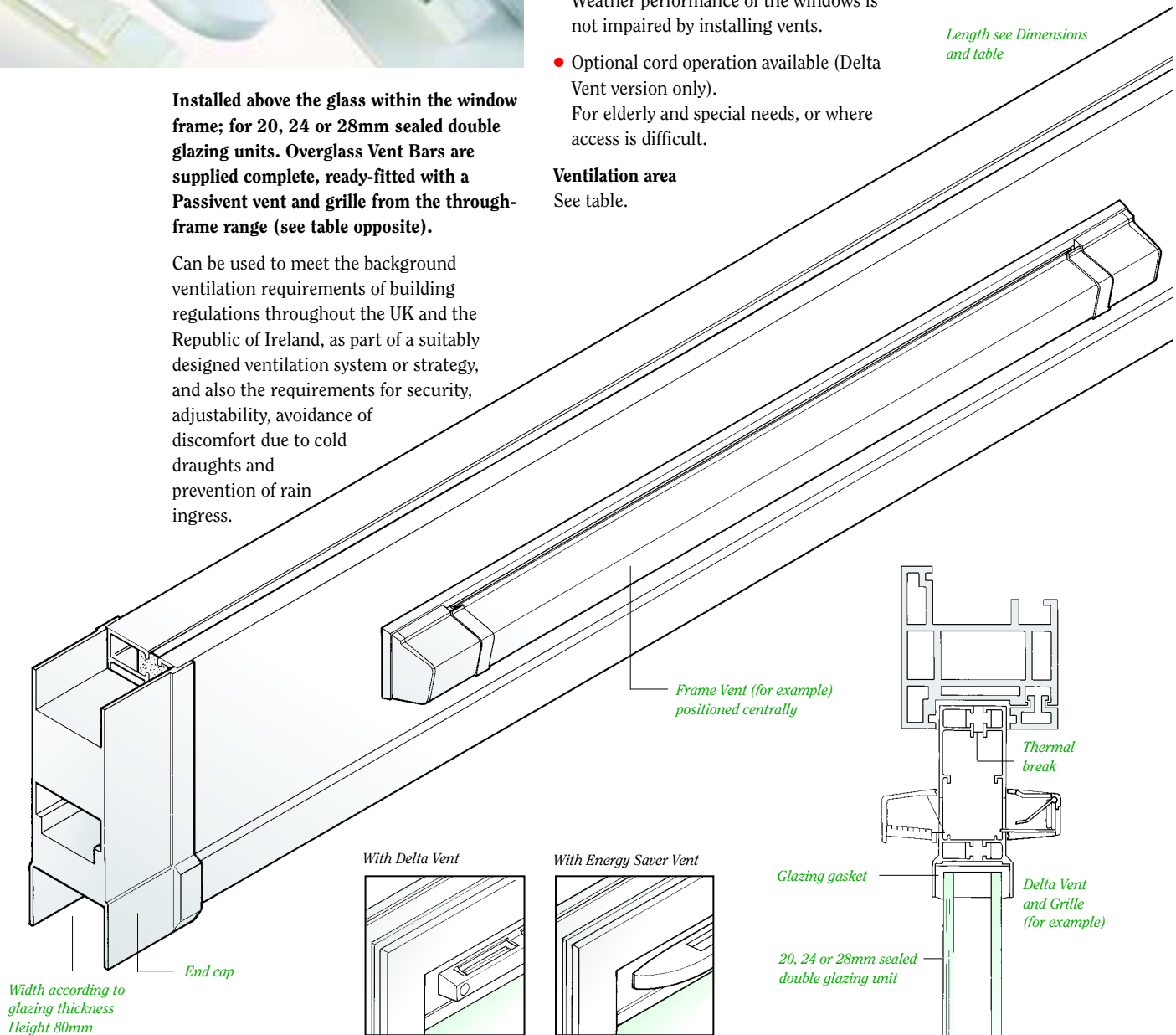
Features and benefits

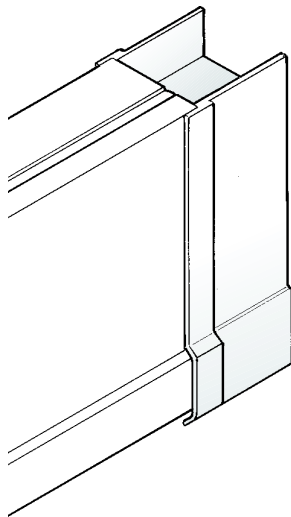
- Thermally broken.
Reduces risk of condensation on vent.
- Provides modular ventilation areas regardless of length.
Prevents over- or under-ventilation.
- Meets the worst case requirements of BS 6375: Part 1: 2000 for resistance to water penetration when fitted with suitable vent and grille.
Weather performance of the windows is not impaired by installing vents.
- Optional cord operation available (Delta Vent version only).
For elderly and special needs, or where access is difficult.

Length see Dimensions and table

Ventilation area

See table.





Material

Extruded aluminium (thermally broken) with polyester paint finish to BS 6496. Injection-moulded plastic end caps.

Colours: white, or white internal face with black external face to blend with the glazing, camouflaging the vent bar. Other RAL colours to special order subject to minimum quantities.

Fixing

Reduce glass height by 68mm to accommodate the vent bar. If the window frame has a very deep rebate, measure the bar against the frame. If supplied as a modular length, remove end caps from the bar and trim it equally at each end (so that the vent remains central) to a length 56mm less than the glass width (ie allowing 28mm for each end cap).

Place glazing gasket (supplied) on top edge of glass, position one end of vent bar accurately and push on to gasket. Trim gasket to length of bar, then replace end caps. Fit glazing beads over end caps.

Dimensions

Supplied either cut to specified lengths, or in modular lengths from 450mm upwards in 150mm increments for cutting on site.

End caps can be removed to allow bars to be trimmed on site if necessary. Overall length after trimming (including end caps) should be equal to the actual width of the glass. Reduce glass height by 68mm to accept the bar.

Suitable vents and grilles, minimum lengths

For details of vents and grilles see other pages.

Internal vent	External grille		Ventilation opening		Minimum length*	
			free area	equivalent area		
Delta Vent	TVDV2	Delta Grille	TVDG2	2000mm ²	1310mm ²	275mm
	TVDV4		TVDG4	4000mm ²	2800mm ²	435mm
Frame Vent	TVFV2	Canopy Grille	TVCG2	2000mm ²	1400mm ²	275mm
	TVFV4		TVCG4	4000mm ²	3120mm ²	435mm
Energy Saver	TVES4	Canopy Grille	TVCG4	4000mm ²	2760mm ²	497mm**
Combustion						
Air Vents	TVCA5	-	TVCA5	5000mm ²	-	460mm

*Minimum trimmed length of vent bar including end caps.

**Minimum length of vent bar fitted with Energy Saver Vent can be reduced to 450mm by discarding end caps and trimming the vent bar shoulders.

Specification clause

Select options required, and insert information where necessary. Provide background ventilation complying with Building Regulations (England and Wales) Approved Document F OR Building (Scotland) Regulations Technical Handbook Domestic Section 3 OR Building Regulations (Northern Ireland) Technical Booklet K OR Building Regulations (Republic of Ireland) Technical Guidance Documents Part F, by means of overglass window ventilators giving a constant *.....mm² free area or *..... mm² equivalent area of ventilation irrespective of window width (Passivent Overglass Vent Bar fitted with *..... internal vent and *..... external grille). Ventilators to suit *.....mm glazing thickness, to be of two-piece extruded aluminium incorporating thermal break with polyester paint finish to BS 6496: 1984 and injection-moulded plastic end caps having a flange to cover cut aluminium ends. Ventilators to meet or exceed the worst case requirements of BS 6375: Part 1: 2000 for resistance to water penetration. Ventilators and information available from Passivent Ltd, 2 Brooklands Road, Sale, Cheshire M33 3SS, Telephone: 0161 962 7113, Fax: 0161 905 2085. Email: info@passivent.com *Insert figures and vent codes required.

Overglass Vent Bars: Single glazing

Passivent can also supply non thermally broken Overglass Vent Bars for 4 or 6mm single glazing. Similar to the Overglass Vent Bars for double glazing, the bars are supplied ready-fitted with a Passivent vent and grille from the through-frame range.

Further information can be supplied on request.

SUPERGLAZE GLAZED-IN VENTILATOR

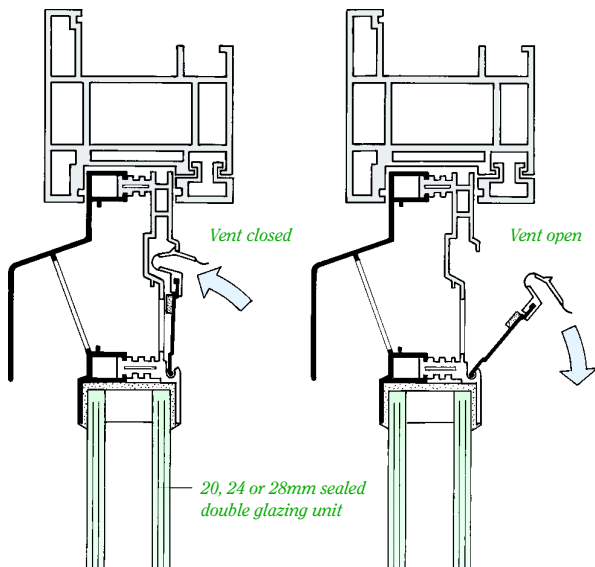


Designed for installation above the glass within a window frame.

Suitable for 20, 24 or 28mm sealed double glazing units, the vents may be fitted to windows when glazing on site, or during manufacture.

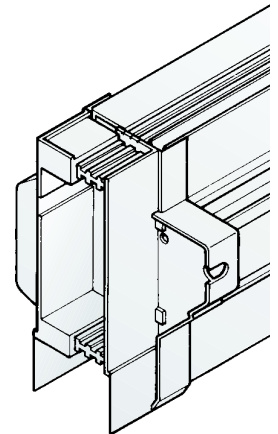
Can be used to meet the background ventilation requirements of building regulations throughout the UK and the Republic of Ireland, as part of a suitably designed ventilation system or strategy, and also the requirements for security, adjustability, avoidance of discomfort due to cold draughts and prevention of rain ingress.

British Board of Agrément Certificate no 95/3120.



Features and benefits

- Provides modular ventilation areas regardless of length. Prevents over- or under-ventilation. Alternatively where higher ventilation areas are required the ventilator can be supplied with the airflow proportional to length.
- Manufactured from a combination of materials for optimum performance. External aluminium extrusion is durable and UV-stable. Full-length internal control flap is also aluminium, for strength and rigidity in operation.
- The internal PVC-U section constitutes a thermal break. Reduces risk of condensation on vent.
- Flap directs incoming air upwards to prevent draughts and discomfort. Encourages use.
- Meets the worst case requirements of BS 6375: Part 1: 2000 for resistance to water penetration. Weather performance of the windows is not impaired by installing vents.
- Optional cord operation available. For elderly and special needs, or where access is difficult.
- Aesthetic and neat design. Does not spoil the appearance of the window.



*Width according to glazing thickness
Height 82mm*

Ventilation area

See table.

Material

External section is extruded aluminium with polyester powder coating to BS 6496. 4mm slots form an integral insect screen. Internal section is extruded PVC-U.

Internal flap of polyester powder-coated extruded aluminium with integral weather seal. Injection moulded handle/catch and end caps with integral spring mechanism.

Glazing gasket supplied to suit glazing thickness.

Colours: white on both internal and external faces, or white internal face with black external face to blend with the glazing, camouflaging the vent. RAL colours to special order subject to minimum quantities.